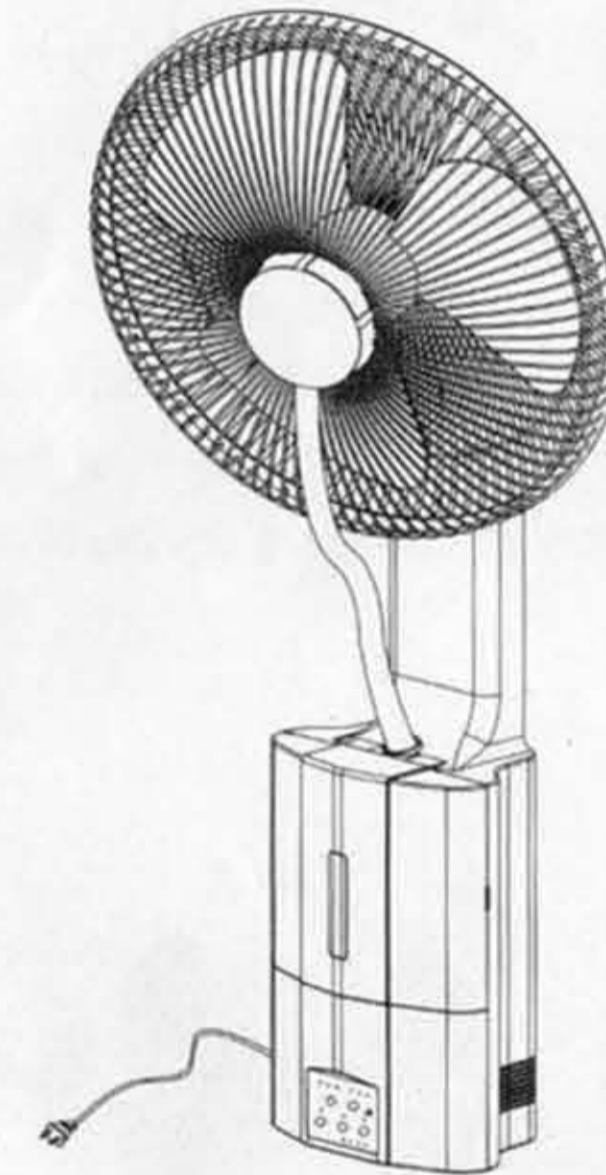




16" wall hanging ultrasonic mist fan

Instruction Manual

CM-12G



Thank you for choosing this model. Please read this manual thoroughly before operating the unit.

Introduction

This ultrasonic mist fan is an attractive and easy to use product with a luxurious finish. It functions as an electric fan and an ultrasonic mist machine to make the environment cooler. Please take note that the functions may be used independently. You will definitely feel the cool wind during hot summer days.

Operating Components

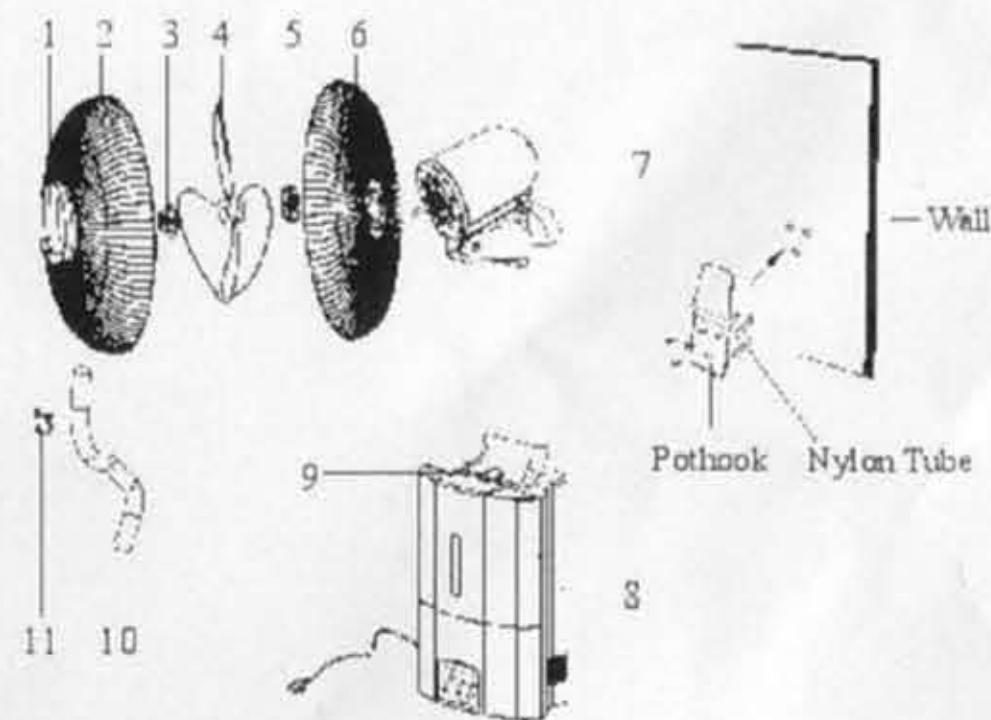
Humidifier Function: Electric Mist Fan exploits ultrasonic vibration components, atomizes the water to 1-5 micron ultra-particle and spreads the mist into the air through the wind. This function increases the cool humidity which makes you feel cool in a single room or in the entire home.

Healthy Humidity

Low humidity (dry environment) can dry out skin and leads to problems like chapped lips, dry and itchy skin, and a dry sore throat when you wake up in the morning. Relative humidity of 45%RH - 65%RH will be good for human in diversified conditions. Ultrasonic mist fan has been designed to make you feel more comfortable and cool even in very dry environment adding moisture in the air.

Installing Chart

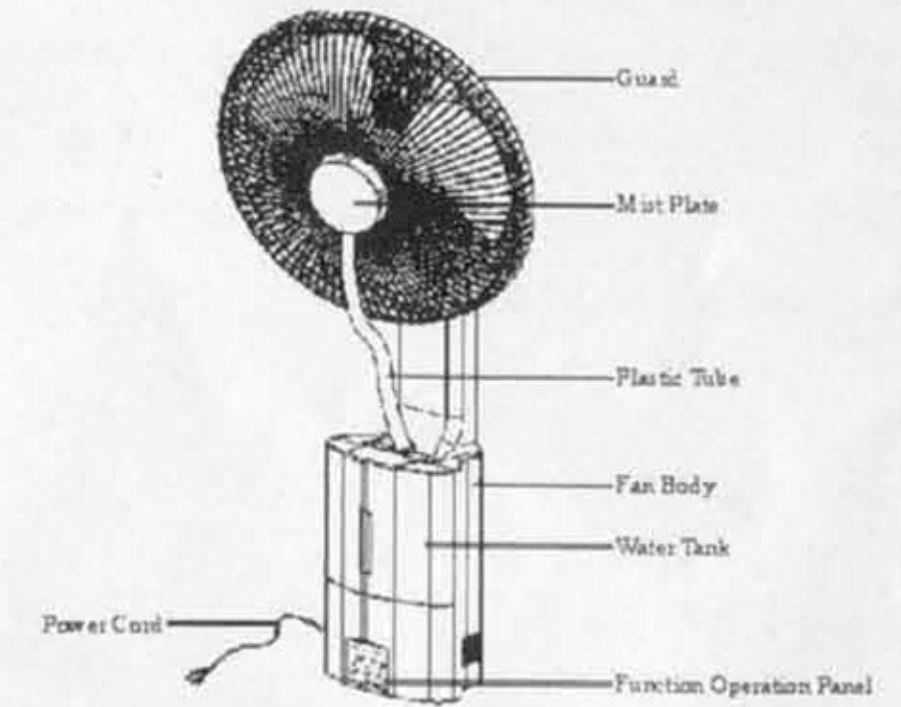
1. Front Mist Plate
2. Front Guard
3. Blade Cap
4. Blade
5. Rear guard knob
6. Rear Guard
7. Motor
8. Fan Body
9. Fixer
10. Plastic Tube
11. Tube Button



■ When installing the appliance, fan blade should be higher than 2.3m from the ground.

Technical Specifications

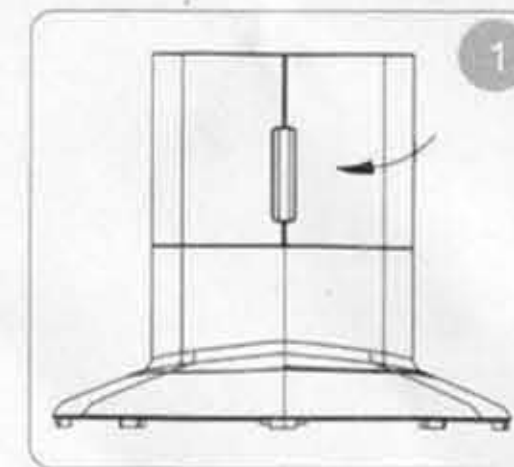
Model No.	:CM-12G
Rated Voltage	:220V~
Rated Frequency	:60Hz
Total Power	:100W
Max Mist Capacity	:200ml/h
Fan Size	:500mm
Water Tank Capacity	:1500ml



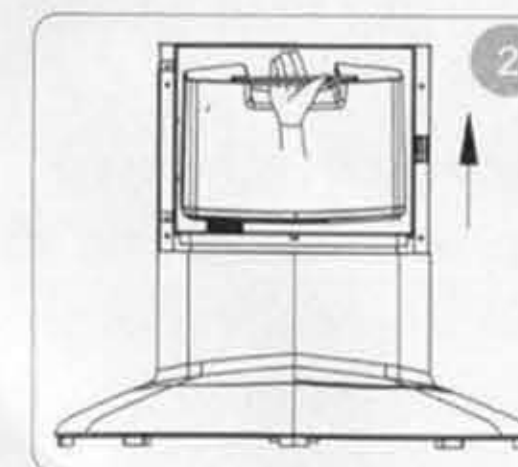
Operating The Water Tank

Stable the mist fan on the ground, and add water inside the water tank according to six steps below:

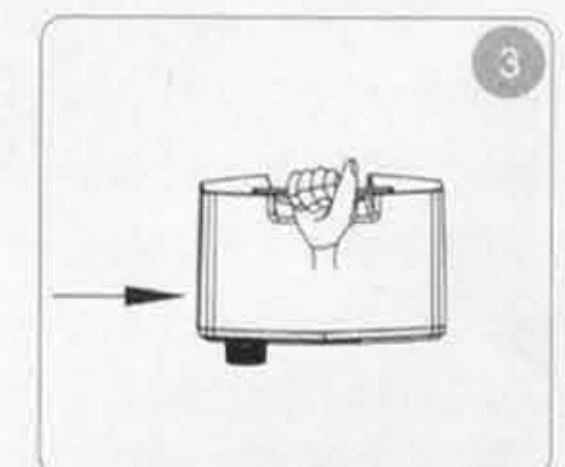
Note: Do not take out the water tank before unplug the power cord. Hot water (40°C or above) is not allowed to add in the tank.



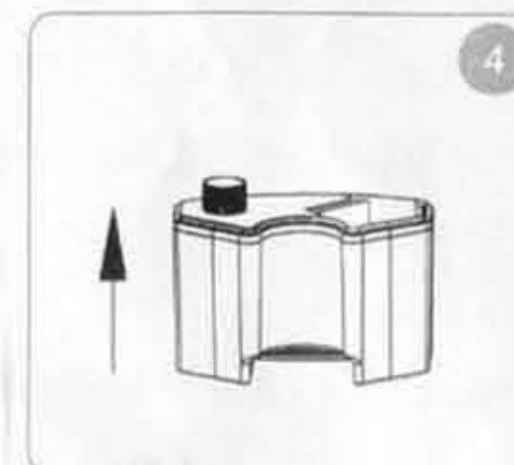
Open the water tank cover.



Lift the water tank flatly.



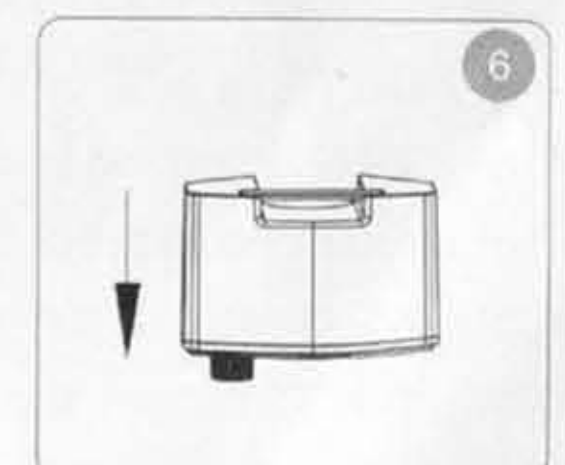
Take out the water tank flatly.



Put the water tank base up.



Screw off the tank cover and add water.



Screw tank cover tightly and put it in to the fan, then close the panel.

Cleaning and Maintenance

* Please disconnect the power cord plug from the electrical outlet and make sure that your fan is not operating before cleaning it.

* Please clean the water tank every two or three weeks, and clean the flume every week.

* Please take out the water tank when cleaning it, and pull plastic tube out of the atomizing cup properly, then take out the atomizing cup and cleaning them.

* Use a dry cloth to absorb water remaining when cleaning the atomizing cup, and dry it using a piece of soft cloth. Or use mild detergent to clean the atomizing cup if the water is dirty.

* Please add a few drops of lubricant to the motor shaft after cleaning to extend motor life every year.

* Pack the unit properly and store it in a cool dry place if you are not using it for a period of time.

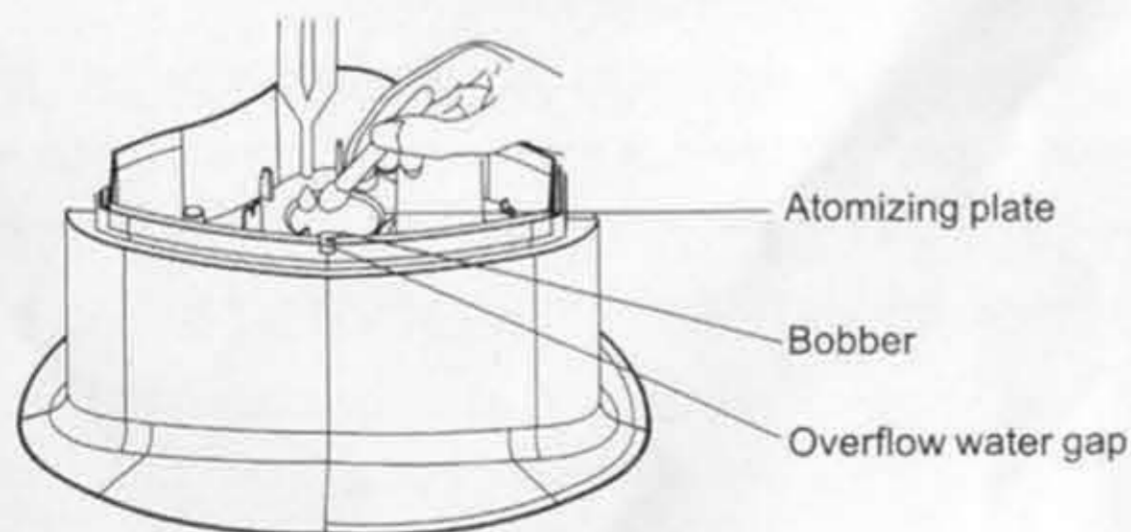
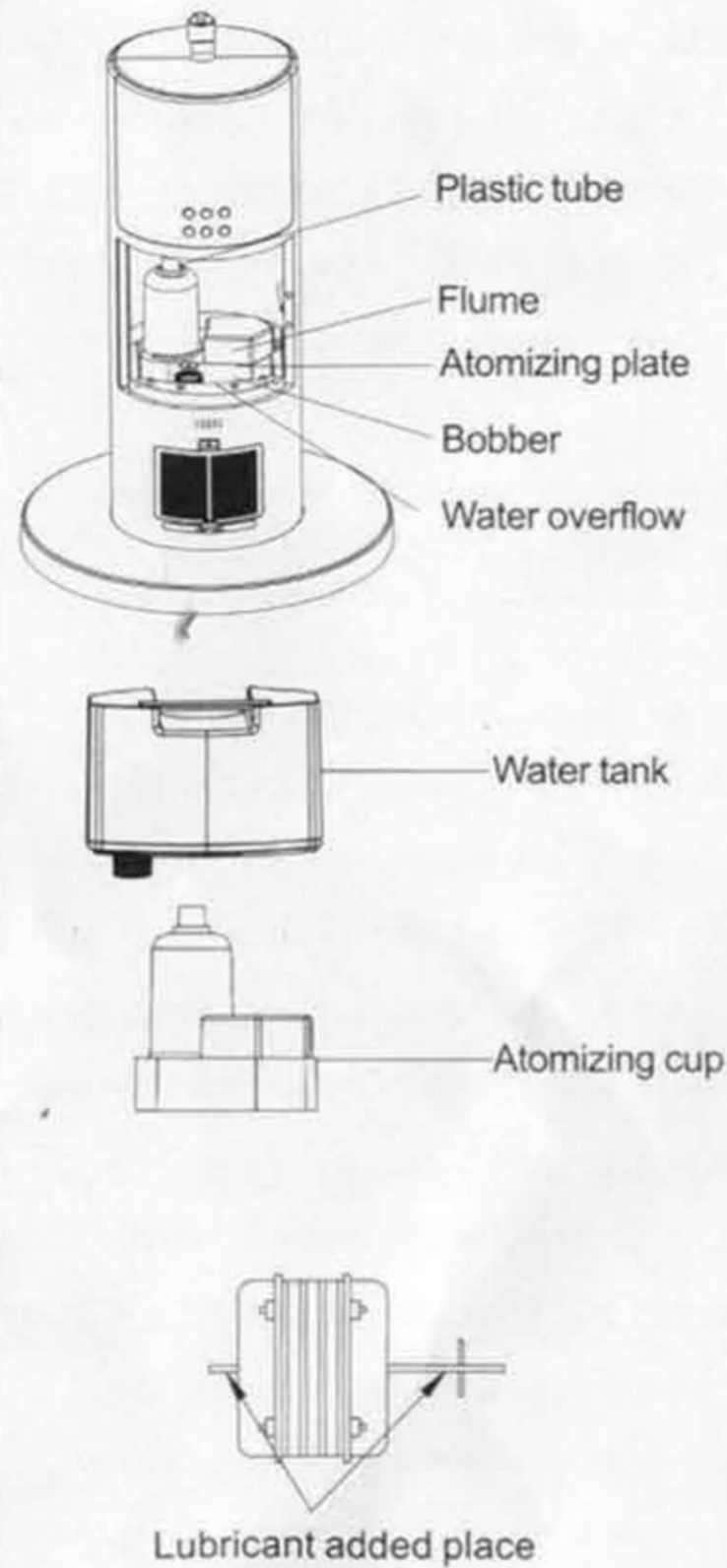


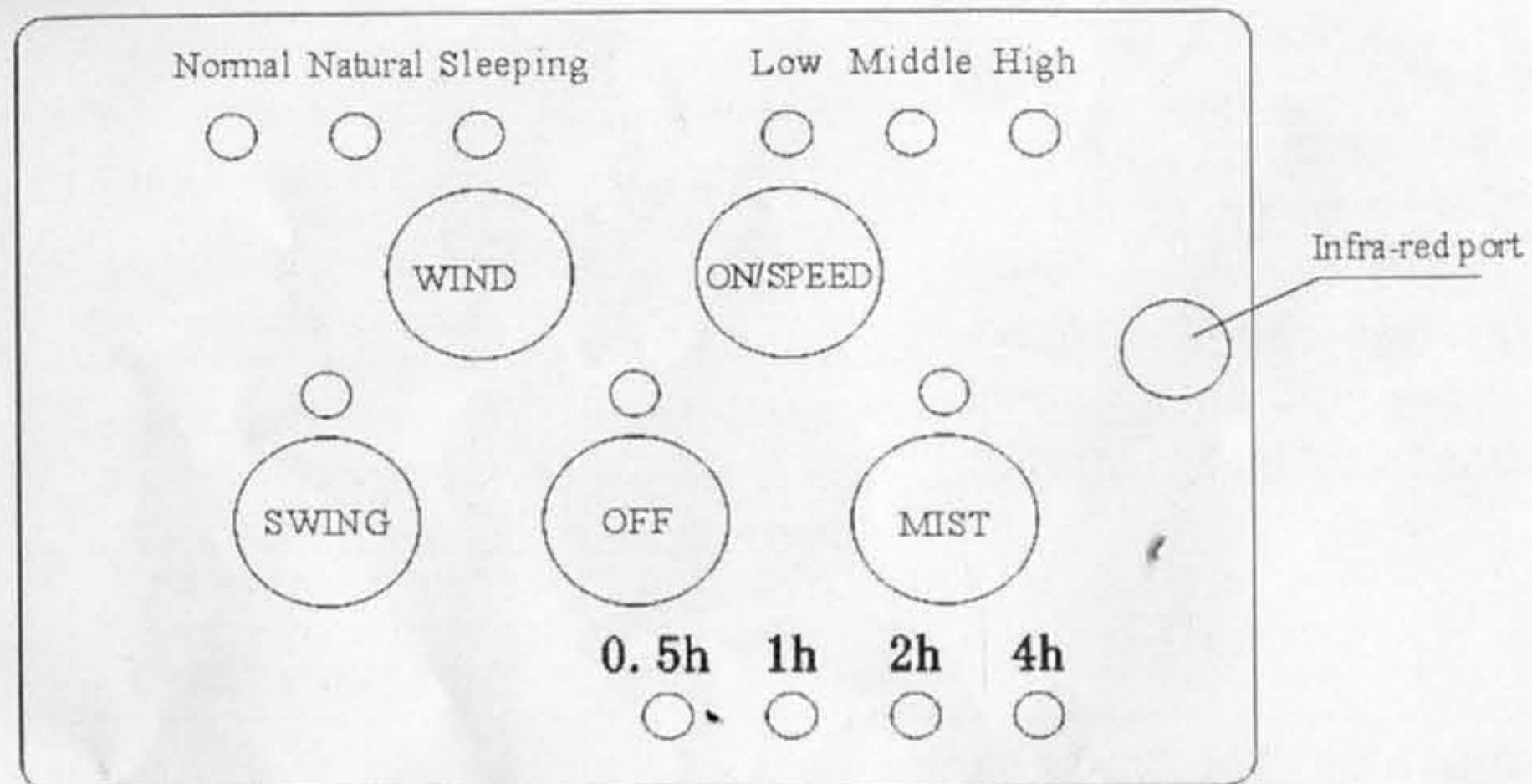
Figure of cleaning atomizing plate

Frequently Asked Questions

Problem	Cause	Remedy
1. Indicator light is off, no wind and no mist	Power cord is unplugged, and electrical power switch is at off position.	Plug the power cord, and turn on the electrical power switch.
2. Indicator light is on, fan is blowing but has no mist.	Water in tank is below the minimum level, misting switch is off or water level guide is not in proper position.	Add more water, turn on the misting switch or adjust the water level guide in the correct position.
3. Unusual mist odor	First time use of a brand new unit or water in the tank is old or dirty	Use the unit for at least 2 hours during the first time

CMPI/CDPI
448-7674/414-9890
WWW.COLENTCO.COM

Operating The Fan



1. Insert the plug to the electrical outlet, make sure that the indicator light is on as shown above.
2. Press "**ON/SPEED**" button to choose the wind speed-Low, Med, High that matches the light on the LED screen.
3. Press "**WIND**" button to choose the wind type, meanwhile the corresponding light switches on.
"Normal": Wind blow based on Low/Med/High speed.
"Natural": Imitate the blow of natural wind based on strong and soft wind.
"Sleeping": The first half an hour after running as strong and soft natural wind, it becomes med natural wind. The second half an hour it changes to soft natural wind until the end of preset time.
4. Press "**SWING**" button to change the wind direction, meanwhile the corresponding light switches on. Press this button again to stop oscillation.
5. Press "**TIMER**" button to set the time using the timer function. To set a time of 1 hour you need to press the button once and to set 9 hours of running time you need press 9 times and the no. of hour will be changed every time.
6. Press "**MIST**" button, the light is on, the mist will spread out of the front mist plate.
7. Press "**OFF**" button, it switches off the fan and all fan functions return to initial

condition.

Remote control, it must be directed at the infrared port (as shown in the picture) when using remote control. If the remote control does not operate well, please check the inside battery first, and change with new batteries if needed.

Notes: Change the batteries with new and same types. Otherwise your remote control may not operate properly. Remove the batteries out of the remote control if you won't use the remote control for a long time. Remaining batteries may damage your remote control.

Safety Precautions

- * Do not unplug the cord with wet hands.
- * Do not touch the water tank when the unit is operating.
- * A built-in auto shut off switch is available to protect the misting machine when water level is below minimum. Please add more water to allow it to continuously work.
- * Do not put any item into the grille guard and mist sprayer to avoid destroying the mist fan.
- * Please unplug the mist fan from the electrical outlet before cleaning to avoid electrical hazard. Please unplug the unit before removing the water tank to avoid electrical hazard.
- * Do not add hot water over 40 degrees celsius into the water tank.
- * Do not add any metal, chemicals, medicine, detergent and others into the water tank as it may affect the operation of the misting machine.
- * Do not allow direct and prolonged blow on babies or old people.
- * The unit should be used under the rated voltage.
- * If the power cord is damaged, please have it repaired immediately.
- * This appliance is not intended to be operated by persons (including children) with reduce physical, sensory or mental capabilities or lack of experience and knowledge unless they have been given supervision or instruction concerning the use of the appliance by a person responsible for their safety.
- * Children should be supervised, to ensure that they do not play with the appliance.