



INSTRUCTION MANUAL

AIR COOLER

MODEL: CM13EC-03



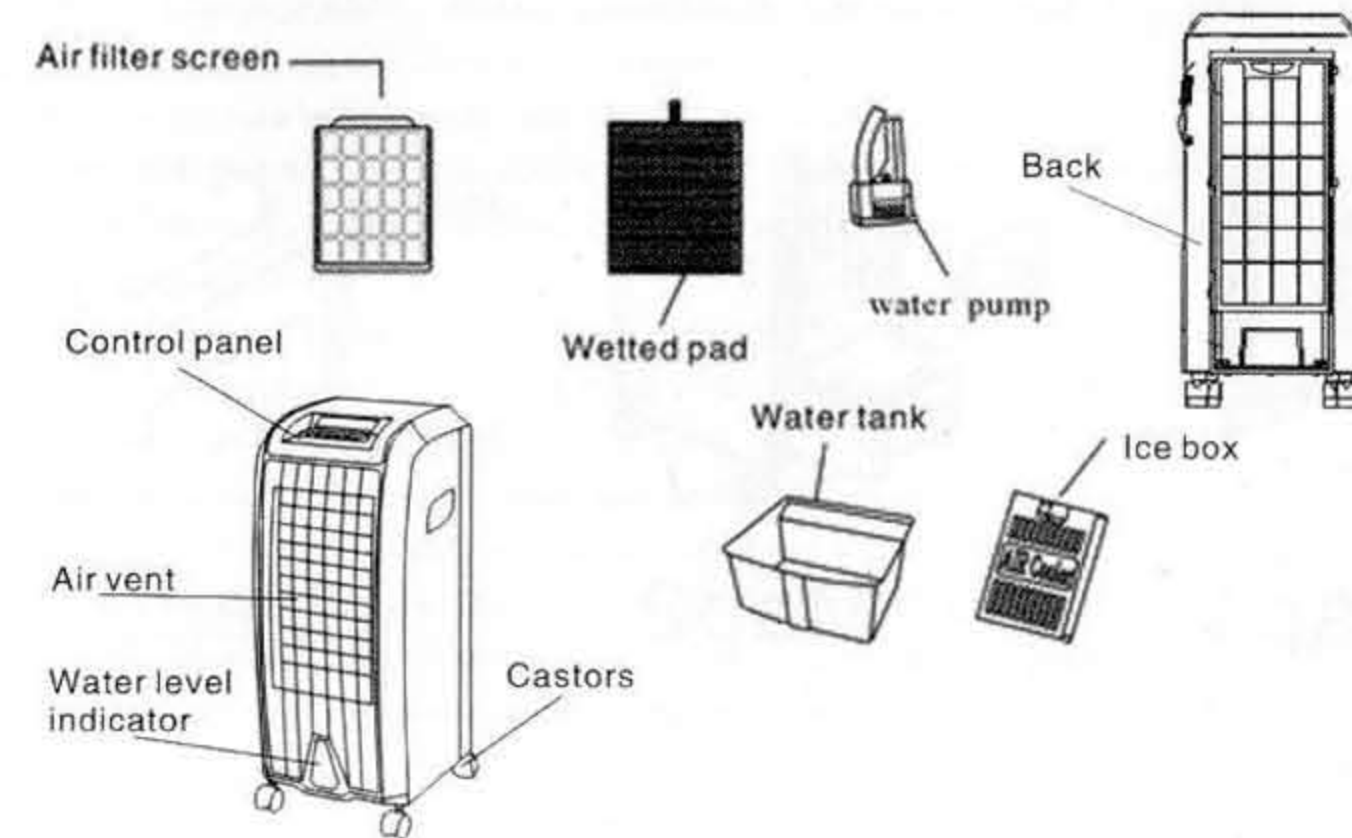
CMPI/CDPI
448-7674/414-9890
WWW.COLENTCO.COM



INTRODUCTION

- Thank you for purchasing our IWATA AIR COOLER.
- Each unit has been manufactured to ensure safety and reliability.
- Before first use, read the instructions carefully and keep it for further reference.

DIAGRAM



PERFORMANCE PARAMETERS

Model	Rating Power	Power	Max Water Injection Rate	Specification
CM13EC-03	220-240V~60Hz	65W	4L	Cooling only

FUNCTIONS

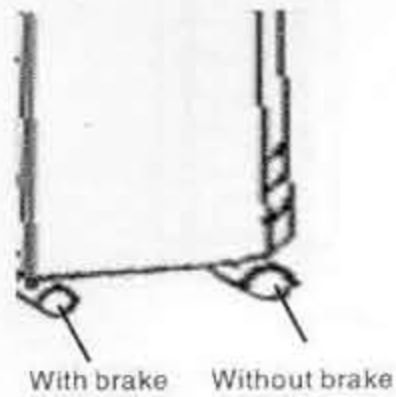
- **Principle of Cooling:** Water from the water tank is pumped to the top, and the water drops into the cooling pad. When the water in the cooling pad evaporates to water vapor, the air is cooled. People will feel cool wind blowing.
- **Electronics control:** safe, durable, and attractive in appearance.
- **Adjustable speed and wind mode:** with three speeds and three wind modes.
- **Cool:** Through water evaporation, air temperature is lowered.
- **Deliver wind at a wide angle:** swings the vertical blades automatically, to deliver wind at a wide angle and swing the horizontal blades manually.

INSTALLATION & ADDING WATER

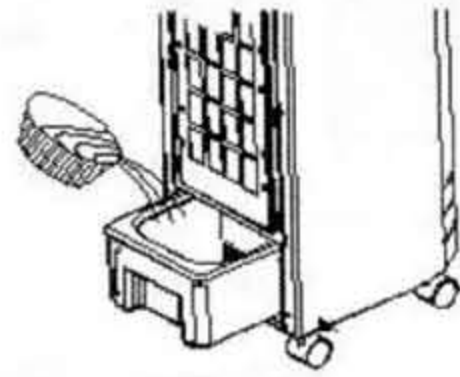
1. Installing castors: put the appliance on a flat surface, use the wrench to install the castors.
Attention: the back castors are with brake, and the front ones are without.(map 1)
2. Adding water: pull out the water tank, and add clean water (map 2)

Attention:

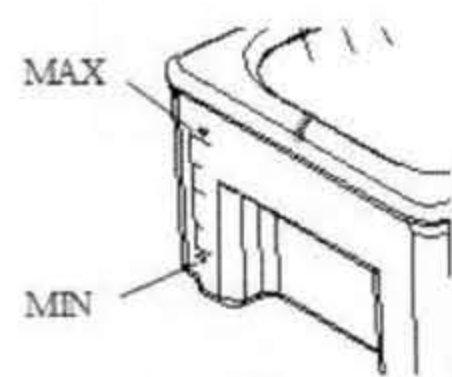
- a. Pay attention to the level of water tank when add water.(map 3)
- b. The level of water tank should not be over "MAX" at any time, when humidifying, the total level of water tank should not be below "MIN" scale.
- c. Put ice or frozen ice pack to the water tank if you want to strengthen the efficiency of cooling. But the total level of water tank should not exceed the "MAX" level.



Map1



Map2



Map3

OPERATION

- **ON/OFF:** Press any key of fan speed "Low" "Medium" "High" to start the air cooler.
- **Swing:** press this button to activate the vertical louvers automatically, press this button again to cancel this function.
- **Cooling:** press this button to start the cooling system and press this again to cancel this function.
IMPORTANT: Please be sure there is enough water in the water tank before press this key.
- **Stop:** Press the key to stop

THE USE OF ICE BOX

The ice box has a particular feature of keeping cool, it can absorb heat and let the water temperature below the environmental temperature.

Using methods:

- a. add water to the ice box (not full) and put it into the refrigerator to make sure that it iced absolutely.
- b. Open the door, put the frozen ice box into the water tank.
- c. There have two ice boxes, can be used circularly.

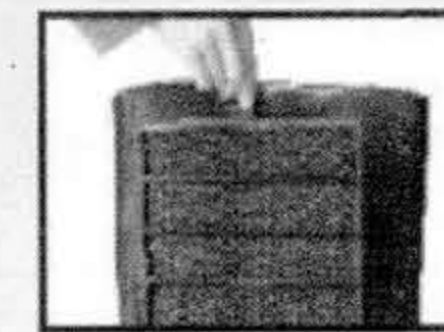
CAUTION

1. Use as per the rating voltage.
2. Do not repair or remake the appliance by yourself, it should be repaired by the authorized repair center.
3. Do not operate the appliance with wet hands, to avoid electrocution.
4. If the supply cord is damaged, it must be replaced by a special cord or assembly available from the manufacturer or its service center.
5. When the appliance is not in use, switch is off and unplug it.
6. Do not insert things to air outlets and inlets, in order to avoid damaging the unit.
7. Do not use the appliance near explosives or combustible gas.
8. Use the appliance only on a flat and level surface.
9. Not intended for outdoor use where water can damage the unit.
10. Water in the tank should not be over "MAX" level at any time.
11. After adding water in the tank, do not tilt or knock over the appliance to avoid spilling water.
12. Do not allow the appliance to lie on its side to avoid electrical shortage due to water spilling on the circuit boards.
13. Do not put things on the appliance to cover the air vent.
14. Clean the appearance with a lightly damp cloth. Do not use any type of detergents or solutions. Do not rinse with water.
15. Do not position air outlets and inlets near the wall or curtain.
16. The water in the tank should be replaced every 2 to 3 weeks to maintain cleanliness.
17. This appliance is not intended for use by persons (including children) with reduced physical, sensory or mental capabilities, or lack of experience and knowledge, unless they have been given supervision or instruction concerning use of the appliance by a person responsible for their safety.
18. Children should be supervised to ensure that they do not play with the appliance.

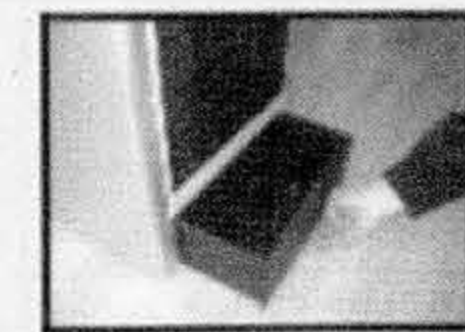
CLEANING AND MAINTENANCE



Map 1



Map 2



Map 3

WARNING: Ensure that the air cooler is switched off from the supply mains before removing the air filter screen.

1. Cleaning the air filter screen (map 1)
Cut off the power supply, pull the handle of air filter screen, remove it from appliance. Clean the air filter screen with a neutral detergent and soft brush, then clean it with water. Reinstall to the appliance.
2. Cleaning the wetted pad (map2)

Cut off the power supply, take down the air filter screen, then draw the wetted pad from support. Clean the wetted pad with neutral detergent and banister brush, then clean it with clear water. Finally, reinstall to the appliance.

Attention: the wetted pad must be installed horizontally, in order to avoid leaking.

3. Cleaning the water tank (map 3)

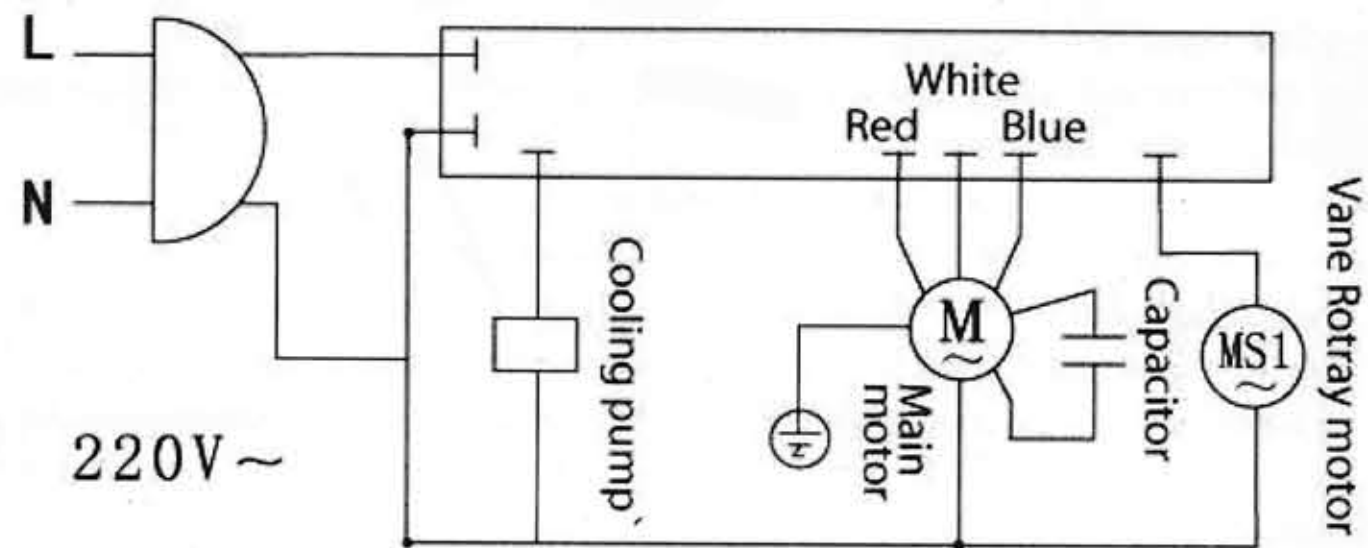
Cut off the power supply, open the door, take out the water tank, clean it with neutral detergent, and wash it with clear water, then reinstall to the appliance.

4. Cleaning the shell

Clean with neutral detergent and soft cloth.

Attention: cut off the power supply when clean the appliance as there have a high pressure in the body. Do not leave any water on the surface of control panel.

ELECTRIC PRINCIPLE DIAGRAM



MALFUNCTION AND MAINTENANCE

Malfunction	Causes	Solution
No power	<ol style="list-style-type: none"> 1. Power is off or poor connection. 2. "ON" key is not turned on. 	<ol style="list-style-type: none"> 1. Plug the power cord and make sure it is well connected.. 2. Press the "ON" key on the control panel.
Weak airflow	<ol style="list-style-type: none"> 1. Air filter is full of dust. 2. Air inlet or outlet is blocked. 	<ol style="list-style-type: none"> 1. Clean air filter screen. 2. Remove foreign objects obstructing the airflow..

Call the service center or send the appliance to the authorized service center when in doubt on the problem occurring.

Thank you.