

OPERATING INSTRUCTION

- 1、 The fan must use the voltage specified on the name plate. It isn't suitable to use the fan in the too moist or corrosive surrounding.
- 2、 You can get three speeds by pressing switch button, the number 0、 1、 2、 3 means OFF, low speed, medium speed, high speed.
- 3、 Bare-body children and elder should not be in the wind for a long time.
- 4、 To be careful when the fan is used near the opened window, curtain portiere or foliage.
- 5、 Please attend to our remark: "INDOOR USE ONLY!"

CAUTIONS

- 1、 To avoid causing an accident, don't touch the fan blades with Your hand or a hard matter before the fan is stopped.
- 2、 Don't lug the power lead outwards forcedly to avoid that the lead comes off.
- 3、 Type Y attachment - Damaged supply cords to be replaced by the manufacturer, service agent or similarly qualified person to avoid hazard.
- 4、 To clean the fan, first cut off the power, remove the guards and fan blades, wash the dirt away with a soft cloth wetted by soap water or alcohol and wipe with a dry cloth. Don't use gasoline or any liquid etching the plastics and painting. Pay attention to that the fan blades shouldn't be impacted and the angle of blades shouldn't be changed.
- 5、 The appliance is not intended for use by young children or infirm persons unless they have been adequately supervised by a responsible person to ensure that they can use the appliance safely. Young children should be supervised to ensure that they do not play with the appliance.



YOKE MOUNTED INDUSTRIAL FAN

For after-sales service:

Berton's Place #46 Sta. Rosa St. Barangay Manresa Quezon City, Philippines.

Tel Nos. 8442-3856; 8442-3866; 3448-7674; 3412-6155; 3413-9503;

8282-5049; 8282-5098

Email: iwata@colentco.com , iwata2@colentco.com , iwata3@colentco.com,
sales_mktg@colentco.com

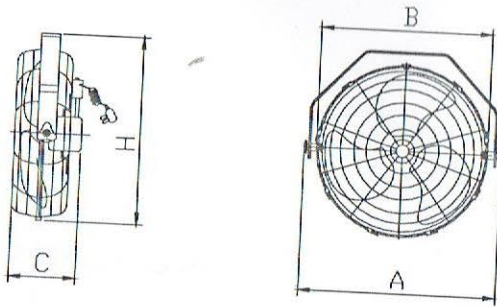
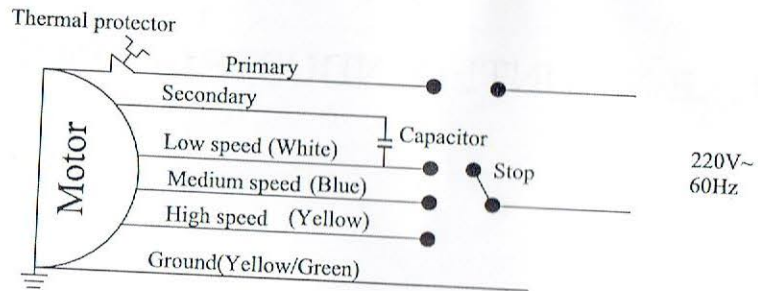
Website: www.colentco.com

Please read this manual carefully before operating the fan

FEATURE AND APPLICATION

This powerful electric fan of desk and stand type of FE series is optimizedly designed and elaborately produced with 3 steps speed control function. The air delivery angle can be adjusted up and downwards at will in a range more than 90°. In the motor, a thermal protector is integrated which can operate repeatedly. The fan is using the low-noise bearings and the fine-mesh guards. The fan has such characteristics as safe and smooth running with abundant air volume, low noise, low temperature rise, low power consumption, stable median point and easily movable. It is an ideal electric appliance used for air ventilation and cooling in factories, mining areas, vehicle repair shops and other public places.

WIRING DRAWING

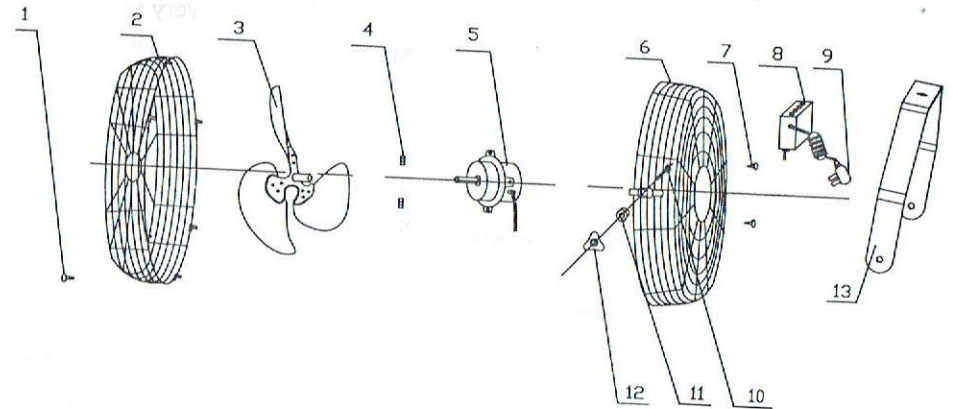


Technical Parameter and Dimensions

Type	Stage 1				Stage 2				Stage 3				Dimensions mm			
	Power	Speed	Noise	Air volume	Power	Speed	Noise	Air volume	Power	Speed	Noise	Air volume				
	W	rpm	dB	m ³ /min	W	rpm	dB	m ³ /min	W	rpm	dB	m ³ /min	A	B	C	H
TCWF-16	67	1150	58	48	80	1350	60	58	85	1600	62	72	525	454	190	475

- >90° Adjustmet of the pitch angle
- 3 steps speed control function
- the product with the dissimilarity of power and frequency for choice

ASSEMBLY SCHEME



- 1、Screw
- 2、Front guard
- 3、Blade
- 4、Screw
- 5、Motor
- 6、Rear guard
- 7、Nut
- 8、Box
- 9、Power liner
- 10、Square-necs bole
- 11、Rubber washer
- 12、Lock nut
- 13、Supporter