

WARNING

1. Don't place fingers or foreign objects through guards into blade, and don't let children close the fan when the fan is running.
2. Bare-body children, weakling and elder should not stay in front of the running fan for a long time.
3. Don't place the running fan near opened window or flower or tree or the curtain, portiere and suchlike places, also don't place the fan in some unplanned place.
4. Close power supply before removing the fan.
5. During operation, cut off the power if appear rubbing sound, rising smoke, move stopped, send it to check and repair to maintenance station or our factory.
6. This appliance is not intended for use by persons (including children) with reduced physical, sensory or mental capabilities, or lack of experience and knowledge, unless they have been given supervision or instruction concerning use of the appliance by a person responsible for their safety. Children should be supervised to ensure that they do not play with the appliance.
7. Type Y attachment - Damaged supply cords to be replaced by the manufacturer, service agent or similarly qualified person to avoid hazard.
8. Don't use the three-prong plug with a two-prong socket.
9. Besides our stated maintenances, non-professional is forbidden to disassemble the fan.
10. WARNING: "ONLY INDOOR USE".

MAINTENANCES

1. The fan must be cleaned periodically to keep clean and attractive.
2. Open the net ring, remove the net(1) and blade(2). Use mild detergent or alcohol to clean off the dirt on the fan.
3. Don't touch the motor during cleaning.
4. Assemble the fan after cleaning. Be sure the blade is properly fixed in the bearing, close the four clips and fix the screw in the guard.
5. After assembling, run fan with a slim pole to ensure well-balance and have no grating.

Notice

1. Avoid the guard and blade deformed during maintenances.
2. The power supply must be closed during the whole maintenances.



18" WALL FAN

Operating Manual

For after-sales service:

Berton's Place #46 Sta. Rosa St. Barangay Manresa Quezon City, Philippines.

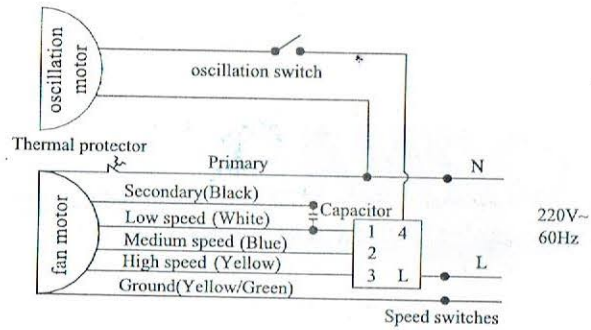
Tel Nos. 8442-3856; 8442-3866; 3448-7674; 3412-6155; 3413-9503;
8282-5049; 8282-5098

Email: iwata@colentco.com , iwata2@colentco.com , iwata3@colentco.com,
sales_mktg@colentco.com

Website: www.colentco.com

Before use of this series of product, please carefully read the Product Manual

Electrical schematic diagram



Performance parameters

Parameter	Item	Stage 1				Stage 2				Stage 3			
		Power W	Speed rpm	Air volume m ³ /min	Noise dB	Power W	Speed rpm	Air volume m ³ /min	Noise dB	Power W	Speed rpm	Air volume m ³ /min	Noise dB
Model	TWF-18	68	1080	78	48	72	1400	98	50	90	1600	115	55

Note: The above parameters are subject to change without prior notice.

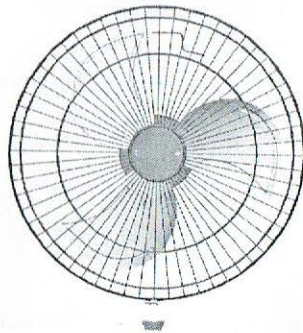
Installation diagram

Please view the installation diagram in detail during fan installation. Please check each spare part carefully before installation to prevent the insufficient quantity or the bump and damage in the transportation process. The accessories should be carefully and gently placed during assembly to avoid damage.

1. Installation of fan net and fan blade

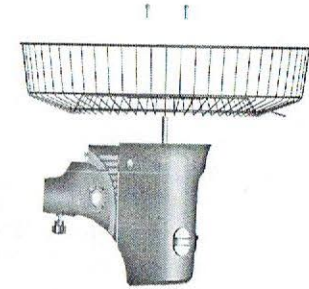
a. Take out blade

Take out the decorative cover of fan net, loosen the netting nut, take out the front fan net and blade successively



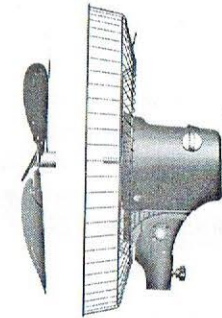
B. Install rear fan net

Dismantle 4 combination screws of motor, horizontally place the rear fan network and motor, align the rear fan network flange to four threaded holes of motor, and tighten 4 combination screws. (The handle of rear fan network should be located above the motor)



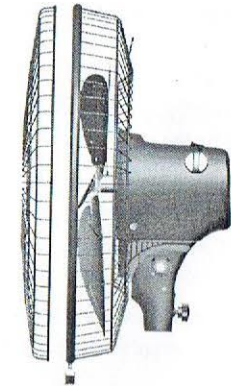
c. Install blade

Align the bolt of blade shaft to the shaft hole of motor shaft, place the blade and rotate the bolts.



d. Install front fan network

Rotate M3 nut of netting ring to half position of bolt (the best position is that the nut is threaded into rear fan network), cover the netting ring into rear fan network, thread the front fan network into netting ring (the nameplate should be vertical to motor), lock the nut, cover the decorative cover button of fan network.

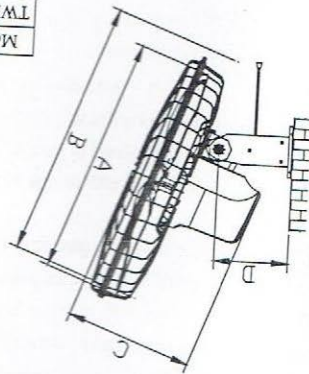
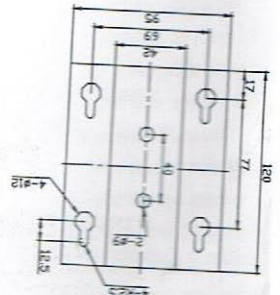


4. Trial running of wall-hanging fan

a. Adjust the fan gear button to "0", power on, rotate the switch button to low-speed gear, and observe whether the fan runs normally.

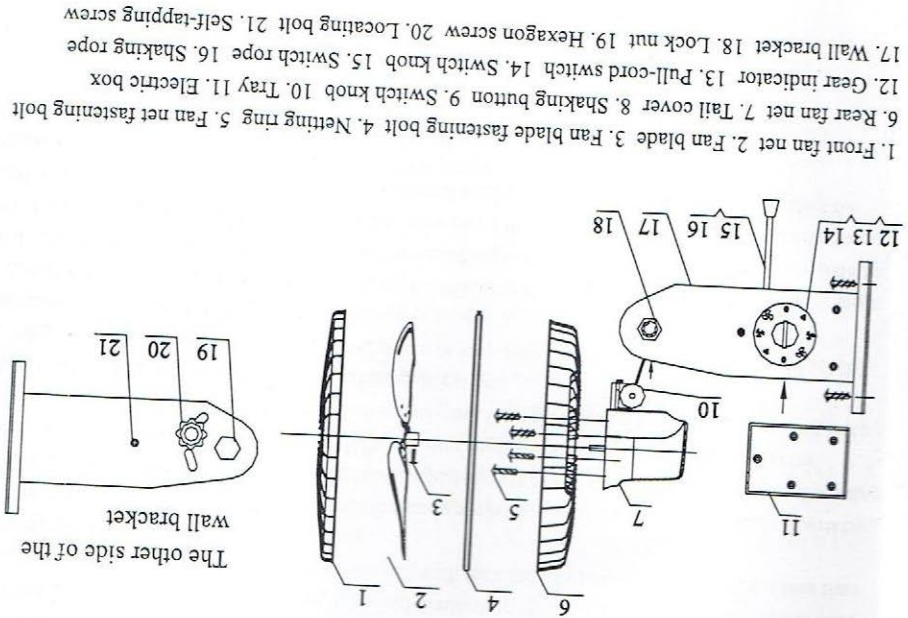
b. Pull the shaking rope (red) to rotate the shaking motor, and observe whether the fan shakes smoothly.

Appearance and installation dimension



Model	A	B	C	D
TWF-18	450	510	280	174

Structure Diagram


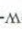



1. Front fan net
2. Fan blade
3. Fan blade fastening bolt
4. Netting ring
5. Fan net fastening bolt
6. Rear fan net
7. Tail cover
8. Shaking rope
9. Switch knob
10. Tray
11. Electric box
12. Gear indicator
13. Pull-cord switch
14. Switch knob
15. Switch rope
16. Shaking rope
17. Wall bracket
18. Lock nut
19. Hexagon screw
20. Locating bolt
21. Self-tapping screw

OVERVIEW

1. The fan has such advantages as luxury, safety and easy to use through the optimal design and careful manufacture.
2. Precision stamping process is used to make the product weight lighter and the air capacity is larger.
3. With good design of motor winding and the high-quality rolling bearing, the product is small in noise and long in life.
4. The built-in thermal protector of motor can achieve the overload protection.
5. Three-gear speed regulation function is provided to regulate the blowing angle.
6. This product is suitable for the air blowing and ventilation in rooms, malls, restaurants, storehouses and other places of entertainment.

Operating Manual

1. Please refer to the installation diagram for fan installation. Please check the spare parts before installation to prevent damage during transportation.
2. The fan shall be used for the voltage and frequency specified by the nameplate; It is not suitable for use in wet or corrosive environments.
3. The fan should be used at altitudes not exceeding 1,000 meters.
4. When the fan is powered by a socket, it should conform to IEC335-1 standard; when power cord is used for power supply directly, an all-pole switch with the contact opening distance of not less than 3mm should be installed in the fixed wiring.
5. Rotating speed adjustment: Three kinds of rotating speed of wall-hanging fan can be achieved by pulling the switch rope (15). The size of the blade pattern on the gear sign indicates the size of rotating speed, where 0 indicates "close", pattern  indicates high-speed gear; pattern  indicates middle-speed gear; pattern  indicates low-speed gear. One gear can be converted by pulling once. The switch button indicates the corresponding gear pattern.
6. Toggle control: The wall-hanging fan can shake or stop shaking by pulling the shaking rope (16). One gear can be converted by pulling once.
7. Regulation of fan upward and downward angle: Disconnect the power supply until the blade stops rotating, press the top and bottom of fan net for wall-hanging fan, up/lift or press down to regulate the elevation angle of fan. Hold the bottom of fan network of wall-hanging fan by hands, and then loosen positioning screw (20) to adjust the fan to a required angle, tighten the positioning screw after the regulation.
- 8 The blade of wall-hanging fan should be 2.3m above the ground.