

MAINTENANCE

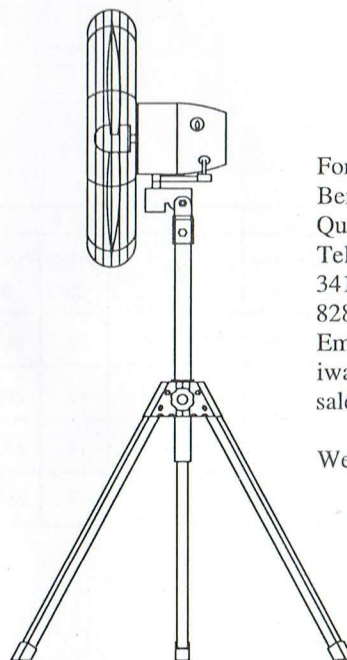
1. In order to keep the machine shipshape and beautiful, you should clean it timely.
2. Please cut off the power before cleaning and disparting front guard and blade. Clean the machine with soft besom and cloth, if possible, you can use some cleanser(Pls don't use gas or other corrosive liquid) after cleaning. Pls dry the guard and blade with dry cloth, then install the machine reversedly.
3. Please don't let water flow into the motor and wet electric elements during cleaning, and also don't crash the blade or change the blades' angle.
4. Please clean the machine and seal the whole machine with plastic bag when the machine will not being used for a long time.

CAUTIONS

1. Don't insert hands or any objects into the machine's guard and misting plate
2. Don't put the machine close to curtain, other easy inhalation and don't put it on uneven place either
3. This appliance is not intended for use by persons (including children) with reduced physical, sensory or mental capabilities, or lack of experience and knowledge, unless they have been given supervision or instruction concerning use of the appliance by a person responsible for their safety. children should be supervised to ensure that they do not play with the appliance.
Ensure that the fan is switched off from the supply mains before removing the guard.
4. Type Y attachment - Damaged supply cords to be replaced by the manufacturer, service agent or similarly qualified person to avoid hazard.
5. Please rush cut off the power and send the machine to our factory or appointed repairing store to repair it by qualified maintenance person if the running machine emit unusual noise, smoke or machine's blade can not run.
6. Expecting in the maintaining range approved by the user manual, do not apart or exchange the fan.



TRIPOD FAN

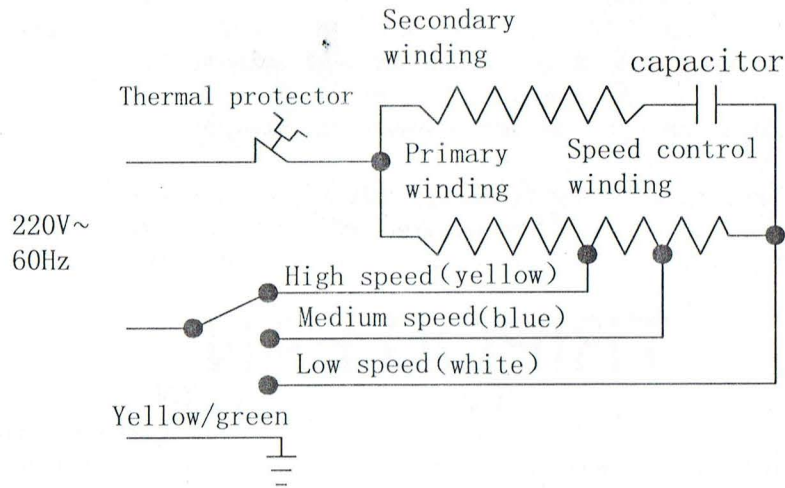


For after-sales service:
Berton's Place #46 Sta. Rosa St. Barangay Manresa
Quezon City, Philippines.
Tel Nos. 8442-3856; 8442-3866; 3448-7674; 3412-6155;
3413-9503;
8282-5049; 8282-5098
Email: iwata@colentco.com , iwata2@colentco.com ,
iwata3@colentco.com,
sales_mktg@colentco.com

Website: www.colentco.com

Please read this manual carefully before
operating the fan

WIRING DRAWING



TECHNICAL PARAMETER

Voltage 220V Frequency 60Hz

Parameter Type	Item	Stage 1				Stage 2				Stage 3			
		R. P. M.	Air volume m ³ /min	noise dB	Power W	R. P. M.	Air volume m ³ /min	noise dB	Power W	R. P. M.	Air volume m ³ /min	noise dB	Power W
Tornado 20-TRI		1200	105	48	110	1400	128	50	125	1600	145	55	155
Tornado 24-TRI		1200	140	52	155	1400	165	56	175	1600	215	62	200
Tornado 26-TRI		1200	165	55	165	1400	190	60	190	1600	245	68	230
Tornado 30-TRI		1200	235	58	215	1400	300	70	240	1600	330	75	280

FEATURE AND APPLICATION

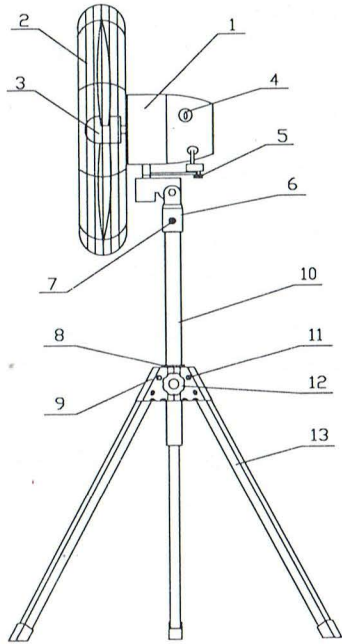
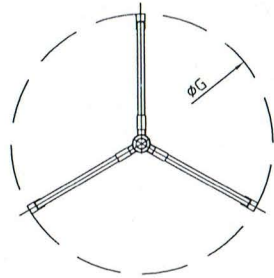
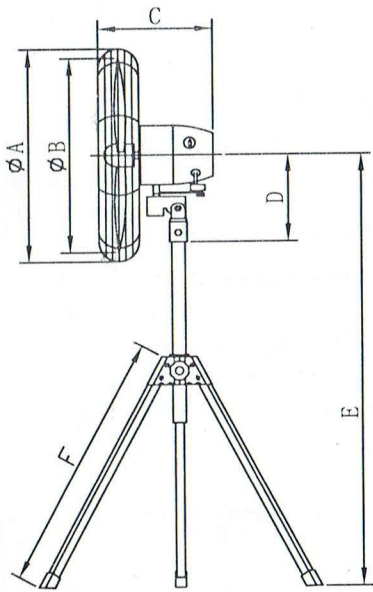
1. Optimized design, reasonable construction and graceful appearance.
2. Material of high quality such as aluminium alloy and advanced die casting technology are used so that the complete product has light weight, strong wind and low noise.
3. This fan can be up and downward adjusted and its rotation speed is also controllable and an overload protector is provided. The fan is easily, safely and reliably operated. It is ideal for cool-down, ventilation, heatstroke prevention to improve the environment in the stock house, workshop, mining area and other places.

OPERATING INSTRUCTION

1. Please mount the fan according to the mounting scheme. Before mounting, please check carefully all parts to prevent from damage caused during the transport.
2. The fan must use the voltage specified on the nameplate. It isn't suitable to use the fan in the too moist or corrosive surrounding.
3. Insert feet (13) into feet installing frame (9) in right direction. Get bolt (11) through bolt (12) and install plain washer, spring washer and nut in order then tight nut. Pull feet (13) into the large angle and get lift pipe (10) into lower joint (8) from the bottom of feet installing frame (narrow one is up), tighten fix screw (12). Put upper joint (6) of the motor (1) into lift pipe (10) and tighten holding screw (7).
4. The fan has 3 speed stages which can be adjusted by rotating the speed control switch (4) ON THE FAN. The numbers 0, 1, 2 and 3 on the indicator are respectively off, low, middle and fast stages.
5. Height adjusting: Hold firmly the lift pipe (10) or the upper joint (6), loosen the fix screw (12), set the fan to the required height and tighten the fix screw (12).
6. Adjustment of panning angle: Loosen the adjusting screw (5) and move it to the needed position (the more outward the more bigger panning angle) and tighten the adjusting screw (5).

MOUNTING DIMENSIONS

Parameter \ Item Type	A	B	C	D	E	F	G
Tornado 20-TRI	550	500	360	205	1720	773	915
Tornado 24-TRI	660	600	360	205	1720	773	915
Tornado 26-TRI	715	650	360	205	1720	773	915
Tornado 30-TRI	815	750	360	205	1720	773	915



1. motor
2. guard
3. blade
4. speed control switch
5. adjusting screw
6. upper joint
7. holding screw
8. low joint
9. feet installation frame
10. lift pipe
11. bolt
12. fix screw
13. feet

Assembly scheme

