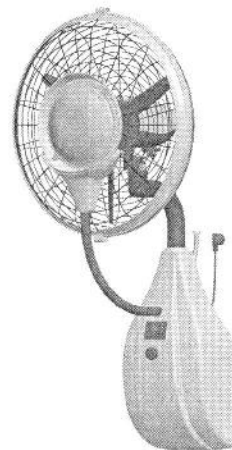




## MISTING FAN

Installation and operating instruction



Please read the instruction in detail before usage.

[www.colentco.com](http://www.colentco.com)

## MAINTENANCE

1. In order to keep the machine durable, you should clean the machine timely.
2. Please cut off the power before cleaning and remove the front guard and blade. Clean the machine with soft cloth, ( please don't use gasoline or other corrosive liquid ) please dry the guard and blade with dry cloth, then install the machine. ( Attention: mist plate inside misting system can't be dissembled ).
3. Please don't let water flow into the motor and wet electric elements during cleaning, also don't press / bend the blade and change the pitch angle of the blade.
4. In order to keep water clean in water tank, please wash the water tank, water-receiving plate at a proper time.
5. To ensure machine can oscillate smoothly, please add grease oil to the rotary part of oscillating mechanism every 6 months.
6. Please clean the machine and seal the whole machine with plastic bag before long time storage of the machine.

## CAUTIONS

1. When opening packing box, please take machine head out as per direction sign.
2. Don't insert hands or any objects into the machine guards and misting plate.
3. Upward and downward angle of machine must be adjusted within stated angle range.
4. Don't put the machine close to curtain and other easily sucked in objects
5. Don't put the machine on uneven place.
6. Children, elders and weak people can't stand in front of the machine for a long time.
7. Type Y attachment - Damaged supply cords to be replaced by the manufacturer, service agent or similarly qualified person to avoid hazard.
8. Please cut off the power and send the machine to qualified technician for checking if the running machine emit unusual noise, smoke or machine blade can not run after power supply.
9. Except maintenance scope, unprofessional person should not disassemble repair or rebuild the machine.
10. Take away non-humidity proof objects when starting the mist function in order to avoid causing rusty or damage to the objects.
11. unplug the appliance during filling and cleaning.  
this appliance can be used by children aged from 8 years and above and persons with reduced physical, sensory or mental capabilities or lack of experience and knowledge if they have been given supervision or instruction concerning use of the appliance in a safe way and understand the hazards involved  
children shall not play with the appliance  
cleaning and user maintenance shall not be made by children without supervision  
the maximum permissible water pressure is 0.8MPa.
12. The new hose-sets supplied with the appliance are to be used and that old hose-sets should not be reused.

## FEATURES AND APPLICATIONS

1. Use CAD optimized design with artistic looking.
2. The fan misting system adopts the centrifugal atomization optimized design, without nozzle and water filtration, reasonable structure, easy maintenance.
3. Misting and air supply driven by different motors, motors use high quality rolling bearings, with stable performance, low temperature rise, long life, low noise, strong overload.
4. Big misting volume and adjustable, micro particles, excellent function of water recycling, full insulation enclosed protective structured pump to make sure safe and reliable usage.
5. Air volume, misting volume and timing set up function are controlled by intelligent remote controller, convenient to use.
6. Equipped with left and right oscillation function, and pitch angle up and down adjustable.
7. Water proof motor design and antirust electrostatic polyester coating grill to make the fan durable and can be used for outdoor cooling.

## OPERATING INSTRUCTIONS

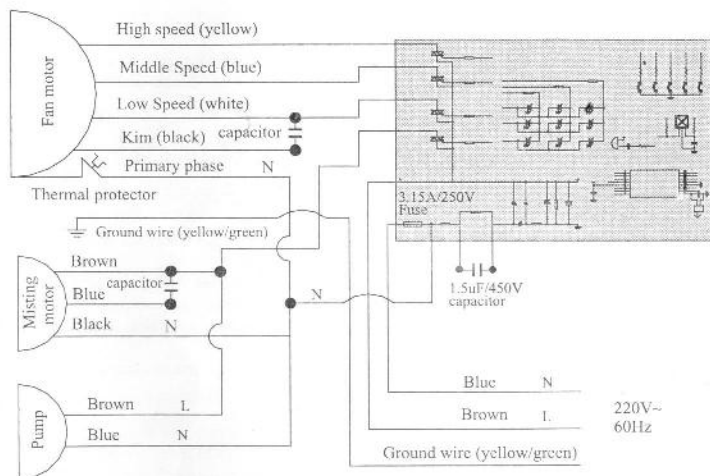
1. Use the fan under the voltage and frequency shown on the rating label, do not use in corrosive environment.
2. Do not use the fan above an altitude of 1000 meters and temperature above 40 C.
3. If the fan use socket to get power supply, it should meet the IEC335-1 standard. use direct power supply by power cord, should be installed contact separation not less than 3mm all-pole switch in the fixed wiring.
4. The fan oscillating angle adjustment: Loosen the injection oscillating screws to move to desired location (screw more out, the greater oscillating angle), tightened injection oscillating screws. The fan pitch angle adjustment: Loosen the fastening nut, adjust the motor to desired angle, fasten the nut.
5. Speed adjustment: press bottoms on remote control or electrical box to control the speeds.
6. Remote control operating
  - (1) The machine is in standby mode when power on, the buzzer beeps once.
  - (2) Press ON/SPEED to start, the fan start by mid-speed firstly in three seconds then switch to work by low-speed. Press the key again is the mid-speed, the third press is high-speed, cycle by low-speed, mid-speed and high-speed.
  - (3) Press the OFF key to turn off the fan.
  - (4) Press TIMER button to set time, three times selection can be set: 2H (2 hours), 4H (4 hours) and 6H (6 hours).
  - (5) Press MIST key to open misting, press it again to turn off, indicator synchronization instructions.
  - (6) Remote control distance not exceeds 8 meters. Buzzer ring twice when turning on, buzzer ring once and last one second long when turning off, and buzzer ring once only when doing other operation.
7. Turn the switch knob between ON and OFF to adjust misting volume.
8. Open inlet water valve to full fill the water tank before running misting function.
9. Clean the water tank periodically to ensure water clean.

## PARAMETER

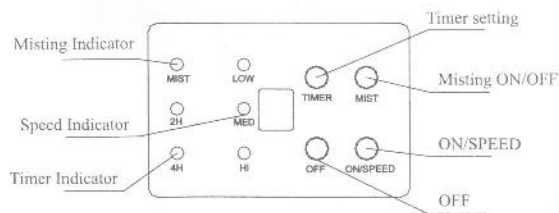
Model	Speed 1				Speed 2				Speed 3				Mist volume (Max) L/h
	Speed rpm	Air volume m <sup>3</sup> /min	Noise dB	Power W	Speed rpm	Air volume m <sup>3</sup> /min	Noise dB	Power W	Speed rpm	Air volume m <sup>3</sup> /min	Noise dB	Power W	
TORNADO MIST-26W	1200	165	57	240	1400	190	62	270	1600	245	70	300	5

Note: No further notice if above indices change.

## WIRING DIAGRAM



## REMOTE CONTROL PANEL

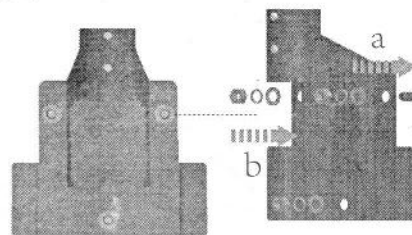


## INSTALLATION INSTRUCTION

Read the installation guide in details during installation process. Check all parts carefully to avoid any damage or missing during transportation. Handle the parts with care to avoid damage.

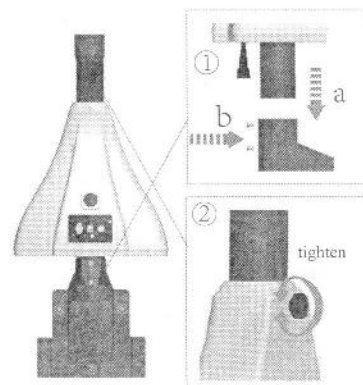
1. Install the wall-mounting bracket Use three pieces of M12 expansion bolts to fix the wall-mounting bracket on the wall. Exposed bolt part cannot be longer than 25mm. As shown in figure 1.

figure 1



2. Install the elbow and tank cover  
 a. Pass the elbow through the tank cover; fix the elbow into the wall-mounting bracket with two pieces of M6X8 bolts.  
 b. Raise the tank cover to proper height and fix on the elbow with M6 plastic screw. As shown in figure 2.

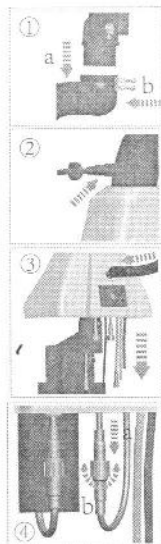
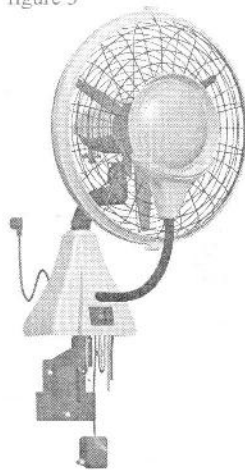
figure 2



3. Install the fan and connect the tubes and power lines

- a. Fix the fan on the top of the elbow with M6 screw.
  - b. Pass the power line through the hole on the elbow and pull it to the bottom of wall-mounting bracket.
  - c. Insert the extension tube with misting motor power line into tank cover.
  - d. Connect and tighten the male and female 4-pin misting motor power line and 5-pin fan motor power line.
  - e. Loose the fix nut on the upper joint, user can adjust the pitch angle of the fan, tighten the nut and M6 screw.
- As shown in figure 3.

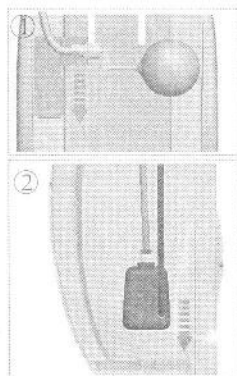
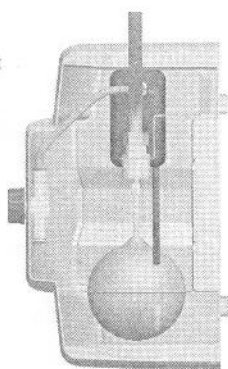
figure 3



4. Install water pump and inlet water valve

- a. Place the water pump at the specified location on the bottom of the tank.
  - b. Place the inlet water valve in the specified slot in the tank.
- As shown in figure 4.

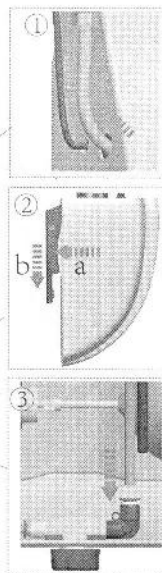
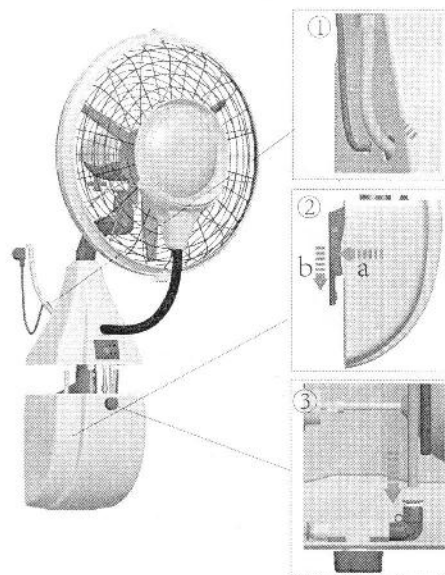
figure 4



5. Install the tank

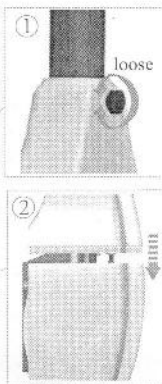
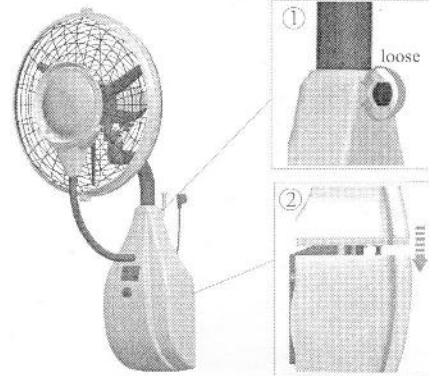
- a. Pass the inlet water tube through rear side of the tank.
  - b. Install the tank on the wall-mounting bracket.
  - c. Connect the blue inlet water tube and the control valve.
- As shown in figure 5.

figure 5



6. Install the tank cap
  - a. Loose M6 plastic screw.
  - b. Cover the tank cap on the tank.
- As shown in figure 6.

figure 6

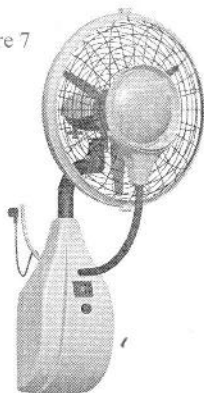


### 7. Misting function test

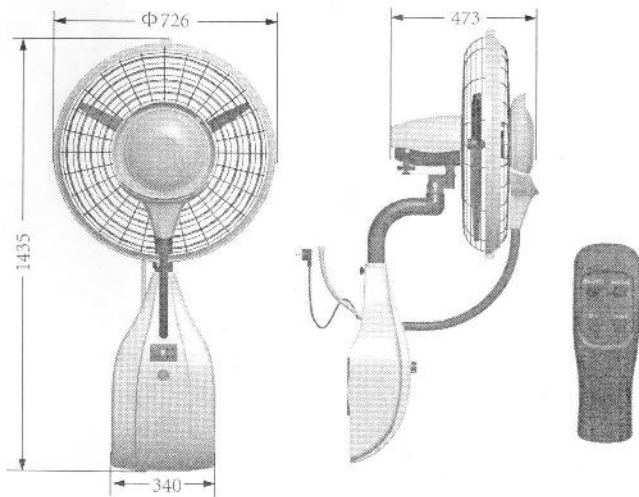
- Open inlet water valve and full fill the tank, check the tank and all connectors to avoid leakage.
- Turn off the ball valve, power on and operate the fan; check if the fan blade is normally operating.
- Press misting button, operate the misting motor and water pump and check if they are normally operating.
- Turn on the ball valve and check if the misting function is normally operating.
- If water leaking from water recycling plate, insert the extension tube deeper into the tank to adjust the height of the tubes inside.

As shown in figure 7.

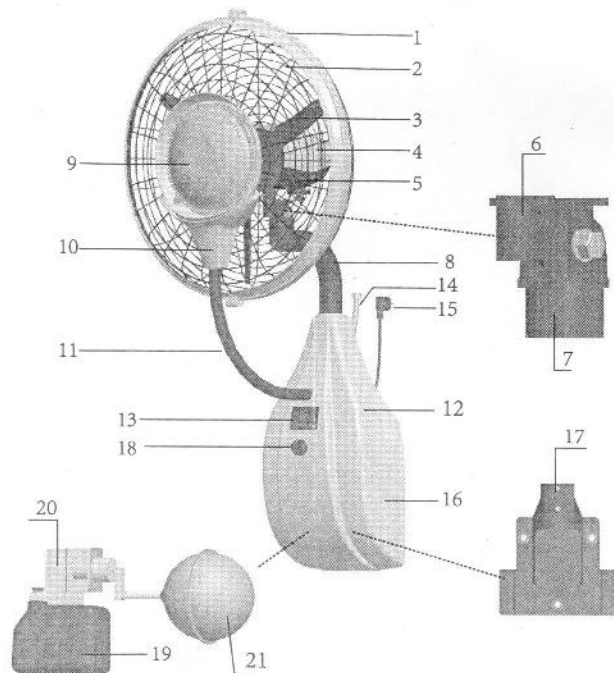
figure 7



### OVERALL DIMENSION



### Structure Diagram



- |                          |                                 |
|--------------------------|---------------------------------|
| 1. Grill decorative ring | 12. Tank cap                    |
| 2. Grill                 | 13. Remote control electric box |
| 3. Blade                 | 14. Water supply tube           |
| 4. Motor guard           | 15. Power cord                  |
| 5. Motor                 | 16. Water tank                  |
| 6. Support tray          | 17. Wall-mounting bracket       |
| 7. Upper joint           | 18. Adjustment ball valve       |
| 8. Elbow                 | 19. Water pump                  |
| 9. Misting unit          | 20. Inlet water valve supporter |
| 10. Connection cover     | 21. Inlet water valve           |
| 11. Extension tube       |                                 |