

# DNP

Photo Imaging

**NEW!**

**DIGITAL PHOTO PRINTER**  
**QW410**



4x6"  
(102x152mm)



4x4"  
(102x102mm  
Using 4x6" Media)



4.5x8"  
(114x203mm)



4.5x4.5"  
(114x114mm Using 4.5x8" Media)

## Features

### 1 Compact and lightweight

The new photo printer ranks among the most compact and lightest<sup>1</sup> of printers available in the global market today. The new photo printer is 68% smaller and 57% lighter than the DS-RX1HS and 42% smaller and 50% lighter than the DP-DS620 which is designed as the compact model.

### 2 Flatter prints

The QW410 is equipped with an innovative mechanism that reduces the curl of the print, even while maintaining a smaller, compact footprint. The de-curling function will switch on automatically depending on the paper count left on the roll.

### 3 Proprietary 4.5-inch print head width

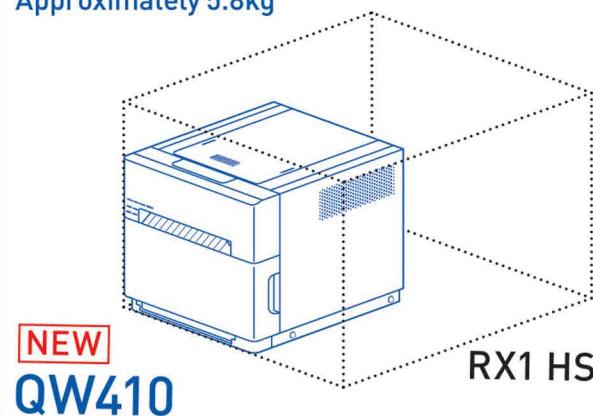
The new printer employs a proprietary 4.5-inch print head to allow consumers to now print 16:9 wide-ratio photos. By eliminating the need for cropping a wide format image down to a traditional 3:2 ratio (4x6" print) the consumer can preserve the whole image.

### 4 Energy

The photo printer reduces power consumption by approximately 28% compared to the DS-RX1HS, approximately 35% compared to the DP-DS620. As a result, battery-powered operations can be extended<sup>2</sup> for a greater period of time<sup>3</sup>.

**the most compact and lightest of printers available in the global market today**

(W) 208mm×(D) 240mm×(H) 198mm  
Approximately 5.8kg



\*1 Comparison with industrial use dye sublimation digital photo printers based on rolled paper, as of the end of July 2019 according to DNP.

\*2 Possible to select equipment compatible with pure sine wave AC output batteries, such as a portable power supply in excess of 300W. This product is Class I equipment and must be used with grounded power.

\*3 Continuous printing for approximately 1 hour or more is possible at a capacity of 200 Wh. Please consult your local dealer for details.

## Printer specification

Model name	DP-QW410		
Print method	Dye sublimation thermal transfer		
Resolution (dpi)	300×300dpi		
Print size	4×6"	102×152mm	
	4×4"	102×102mm	
	4.5×8"	114×203mm	
	4.5×4.5"	114×114mm	
	By using SDK, it is possible to set a variety of print sizes. Do not use media of different width on the same printer.		
Print capacity	4×6" /4×4"	150sheets	
	4.5×8" /4.5×4.5	110sheets	
Print speed <sup>4</sup>	curl correcting function off	High-speed	Approx. 19 seconds
		4×6" High-quality	Approx. 24 seconds
		4.5×8" High-speed	Approx. 24 seconds
		High-quality	Approx. 30 seconds
	curl correcting function on	High-speed	Approx. 22 seconds
		4×6" High-quality	Approx. 27 seconds
		4.5×8" High-speed	Approx. 27 seconds
		High-quality	Approx. 33 seconds
Print finish	Glossy/Matte		
Buffer memory	32MB		
Interface	Compatible with USB2.0 type-B connector		
Printer driver	Windows 7 (32/64 bytes), Windows 10 (32/64 bytes)		
Power supply	AC100V~240V, 50/60Hz Auto switching		
Power consumption	When printing: Approximately 1.7A (100V, 50/60Hz)		
	When idle: Approximately 0.15A		
Dimension	(W) 208mm × (D) 240mm × (H) 198mm		
Weight (Excluding accessories and consumables)	Approx. 5.8kg(13 lbs)		

Print conditions: Comparison with 128 gray-level images, high-speed mode, and glossy finish in an indoor environment with an output condition of 25 ± 5 °C and 50 ± 10%.

## Dimensions



## Installation space

