

COLENT MARKETING PHILIPPINES, INC

Landlines.: 8282-5049; 8282-5098

Mobile Nos. 0908-8908597; 0917-3079188

Email: sales_mktg@colentco.com / iwata@colentco.com

Website: www.colentco.com

COLENT DIVERSIFIED PRODUCTS, INC.

Landlines.: 8354-8654, 8740-3815

Mobile Nos. 09457296445; 0968-2354020

Email: diversifiedcolentcdpi@gmail.com / iwataservice@yahoo.com

Website: www.colent-iwata.com

 **iwata**

Intelligent Money Counter



MODEL

BC22-RICH01 / BC22-RICH02 / BC22-RICH03

BC22-RICH04 / BC23-RICH04 / BC24-RICH05

BC26-RICH06



Unpacking and Checking

After unpacking, please check if the product is in the good conditions and with the complete necessary part as follows.

1. One fuse 2. One brush for cleaning 3. Power cord



One fuse

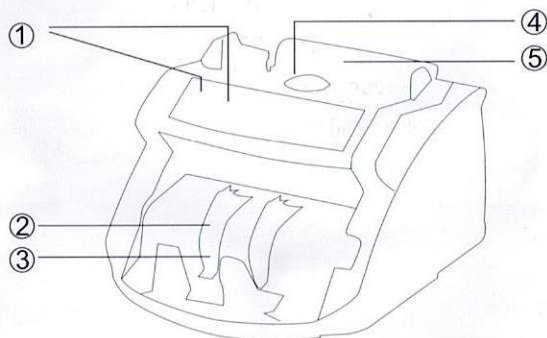


One brush for cleaning



Power cord

Panel Layout



1. Display
2. Banknote Holding Wheel
3. Banknote Holding Sensor
4. Banknote Feeding Sensor
5. Banknote feeding plate

Technical Data

Counting Speed	>1000pcs/min
Banknote Range	Length:110-190mm
	Width:50-110mm
	Thickness:0.075-0.15mm
Banknote Piled on Feeding Plate:	15mm
banknote piled on holding Plate:	30mm
Counting Display Range:	1~999
Preset Range:	1~999
Power supply:	AC220V(1±10%) 50Hz(1±5%)
	AC110V(1±10%) 60Hz(1±5%)
Power Consumption:	≤80w
Current of Fuse:	AC220V 1.5A/AC110V 2A
Ambient Temp:	0℃~40℃
Noise:	<60db
Size:(L×W×H):	Reference model and function table
Weight:	Reference model and function table

Operation Instructions

1. First connect this counter by a wire with one end plugged into its socket and the other into the power supply socket (220V or 110V). For the counter with a distance display, please connect it by plugging into the extension socket on the rear cover. Switch on and the counting display starts to show: "0". No sign in the preset display.

For the personal security, please make sure that the power socket is well-earthed.

2. For the purpose of avoiding counting error, please pick out the damaged banknotes as follows.

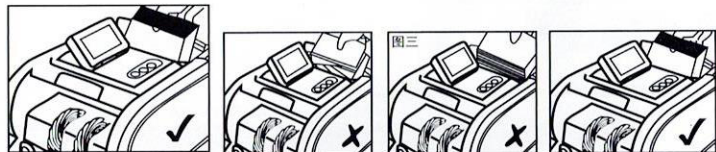
- a) Banknote pasted up with a slip of white paper
- b) Banknote once washed
- c) Heavily-defiled banknote
- d) Broken or split banknote

3. The proper operation methods:

First clean up the banknote and divide the banknote according to the different face value, place the banknote after twisting to form the even slope. For the piled

banknote, please loosen and pat it before placing onto the sliding plate.

Please check the illustration, the Fig. 1 is the right illustration for operation, and the Fig. 2 and 3 are the improper illustrations, among which the Fig. 2 tells the wrong twisted slope and the Fig. 3 tells that the banknote has not been Twisted to form the proper slope.



4. Alarm

If the counterfeit banknote was found while counting, the counter would stop automatically and alarm by beeping, and the red counter indicator would be flashing to tell the position. After picking it out, press any key to continue again.

How to choose the counterfeit identifying functions:

(UV, Preset)

1. UV Function: Press down the “select” button, Counter Works to check the non-magnetic banknote through UV checking Function.
2. Batch Function: Press the “Batch” and the indicator will be on. And this time, the counting display shows “100”, and press “+” or “-” to select the number from 1 to 999, and the counter will stop at the preset number automatically.

Caution & Maintenance:

1. This counter is suitable for working at temperature from 0°C-40°C. Make sure that the counter has been preheated for about 2-3 minutes after switching on.
2. Keep it far away from the electric appliances which may produce strong jamming on the counter while in use. (e.g. electric drill and welding machine.) Besides

protect it against strong direct sunlight and magnetic field, so as to avoid dysfunction of the identifying action.

3. Make sure that the counter has been well earthed (with a working earth line). Store it in a dry place in order to prevent electric shock.
4. Regularly clear away the dust inside the counter. Be sure that the counter has been cut off by pulling the plug out before any maintenance work.
5. Please switch off and cut off the counter if the counter is not in use for a long time.
6. Please contact our maintenance workers when you are facing the following case,
 - a) The liquid was spilled onto the counter;
 - b) The counter was heavily broken by falling;
 - c) The counter can not work normally;
 - d) Even operate it strictly according to the User's Manual, the counter can not work normally.

Troubles & Troubleshooting

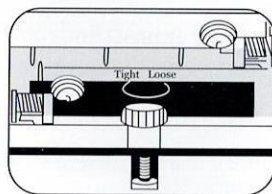
Before asking for repair services, please check the following problem by yourself first.

Trouble	Cause	Solution
the device not counting	1. fuse broken	change
	2. The power cable broken, or the connection is poor.	Check to solve
Not smooth to start and stop	1. Dust on the feeding sensor?	Clean
	2. feeding sensor disconnected with the main circulation board	check to connect again
	3. the belt of motor broken	change
counting error	1. The position of banknote feeding stand well adjusted or not?	adjust the position
	2. The counting sensor covered in dust	Clean
	3. the drag block and banknote twisting wheel worn too much	Change
Identifying error	1. Fluor-sensitivity not well adjusted	Change
	2. the fluor-lamp covered in adjusted	Clean
	3. The fluor-lamp aged	Change

Note: Do not try to disassemble the device if you are not an authorized maintenance worker and never peel off the seal strip. Any problem you can not solve it by yourself, please contact our technical service dept. directly or through our local agent.

How to adjust the banknote feeding plate:

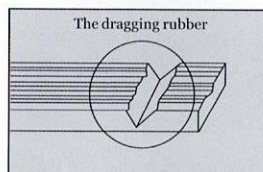
In case that the banknote is not smooth to feed, you can adjust the gap between the dragging rubber and banknote-twisting wheel to solve this problem. Screw by following the illustration and test by inserting one piece of banknote to feel the tension between the dragging rubber and banknote-twisting wheel. (Adjust clockwise tighten the gap and anti-clockwise for loosening).



Vertical Adjusting Screw

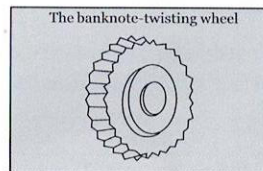
The way to change the spare parts:

1. While the dragging rubber is heavily worn, please change it. Unscrew the banknote supporting plate and press out the dragging rubber, and then replace with a new one.



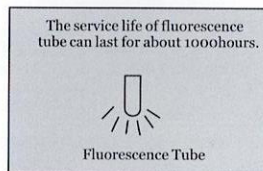
The dragging rubber

2. While the banknote-twisting wheel is heavily worn, the banknote feeding and counting may be the problem. So please change it. Unscrew the banknote supporting plate and take apart the plastic cover at both sides. Press out the banknote-twisting wheel, and then replace with the new one.



The banknote-twisting wheel

3. How to change the UV tube: First remove the top cover on the counter, and take out the tube, then replace it.



The service life of fluorescence tube can last for about 1000 hours.



Fluorescence Tube

We reserve the right to make the technical modification without notice.